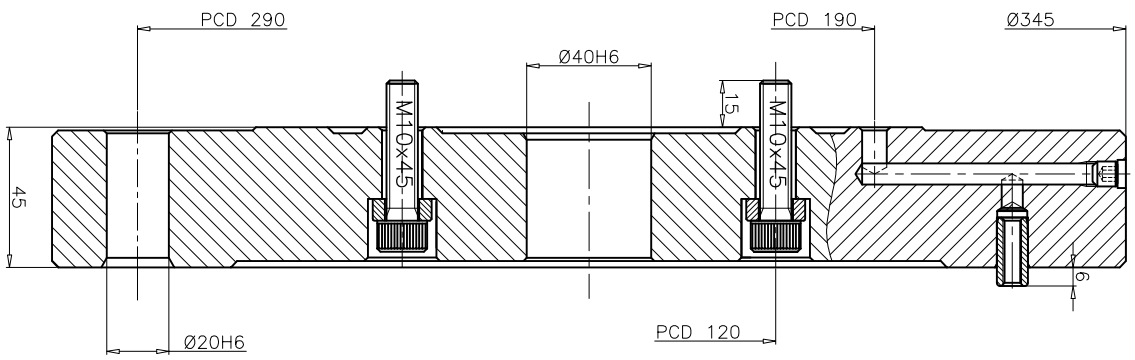
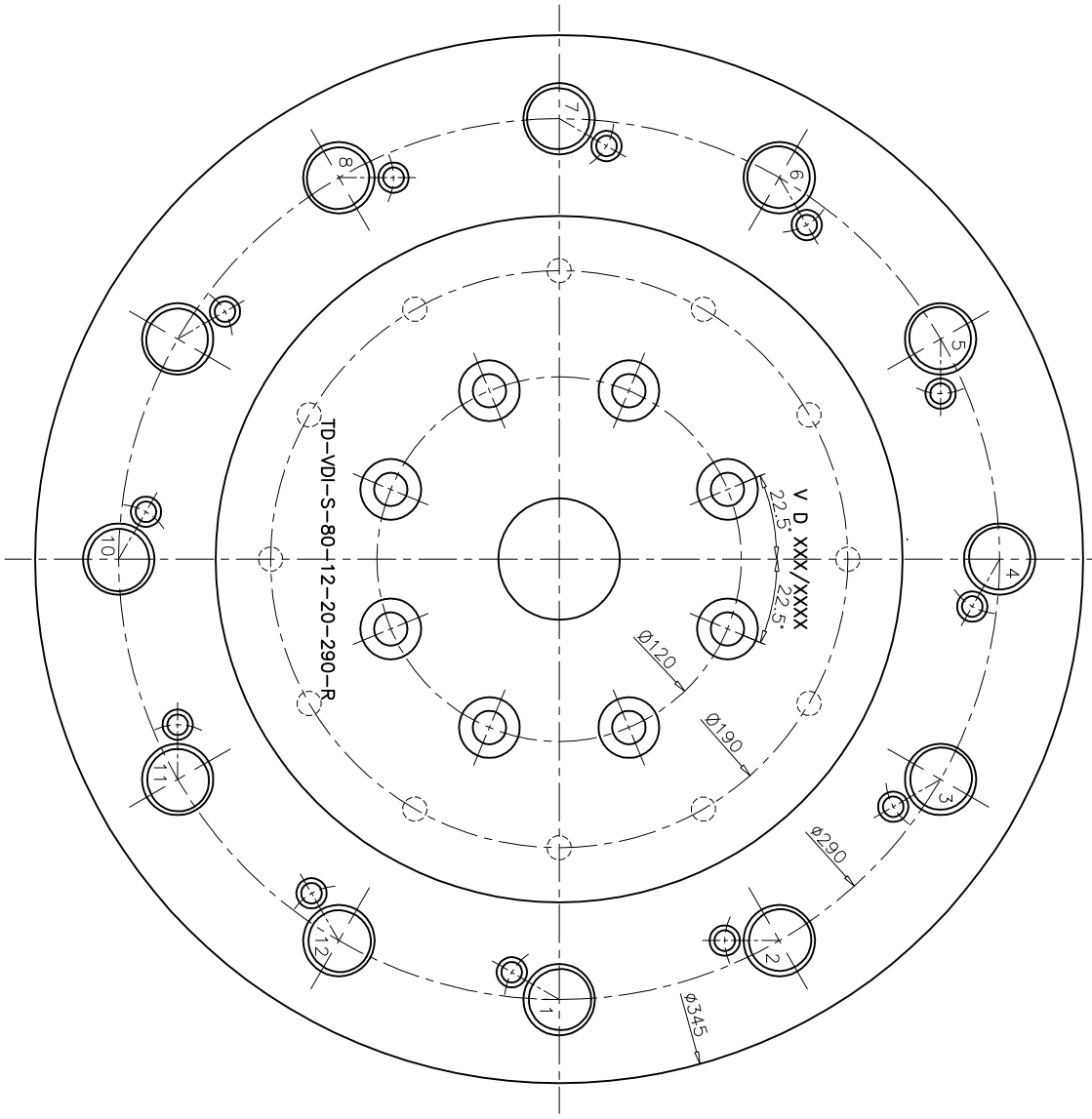


DO NOT SCALE THE DRG. ASK IF IN DOUBT. REMOVE SHARPE EDGES

0.012 / 0.025 / 0.05 / 0.1 / 0.2 / 0.4 / 0.8 / 1.6 / 3.2 / 6.3 / 12.5 / 25 / 50 / 100



| MACHINING DEVIATIONS WHERE NOT SPECIFIED | | Angular Dimension | |
|--|-----------|---------------------------------|---------------------|
| Linear Dimension | Deviation | Length of Shorter side of Angle | Deviation in 100 mm |
| Above | ±0.1 | Above | ±1.8 |
| Below | ±0.2 | Below | ±1.0 |
| 0.5 | | 10 | ±1.0 |
| 30 | | 10 | ±1.0 |
| 100 | | 10 | ±1.0 |
| 315 | | 10 | ±0.6 |
| 1000 | | 120 | ±0.3 |
| 2000 | | 120 | ±1.0 |

SCALE: NTS (A3)

TITLE: TD-VDI-S-80-12-20-290-R

THE INFORMATION CONTAINED HEREIN IS THE EXCLUSIVE PROPERTY OF SPHOOORTI MACHINE TOOL PVT LTD AND SHALL BE TREATED AS CONFIDENTIAL.

SPHOOORTI
BANGALORE

DRAWING No. **SD 177 01**

| REV | DATE | BY | CHECKED | APPROVED |
|-----|----------|--------|---------|----------|
| 01 | 12-07-07 | K.MANI | P.SEKAR | P.SEKAR |