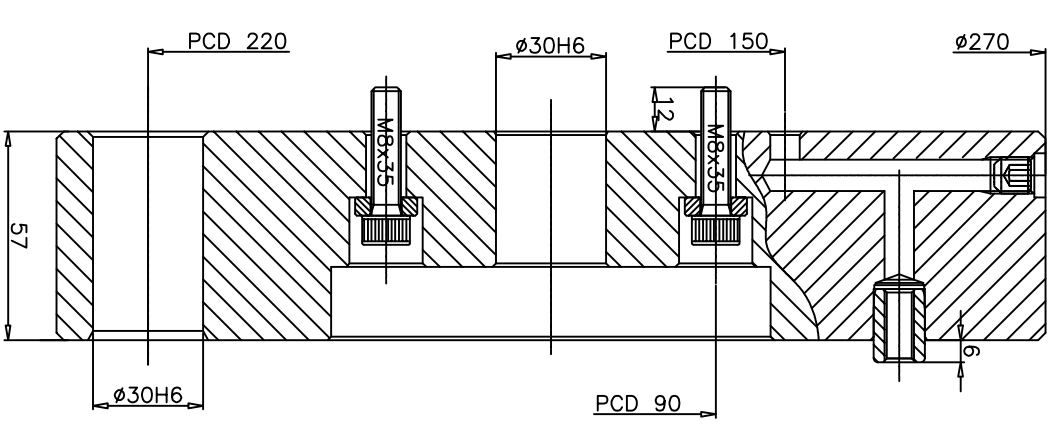
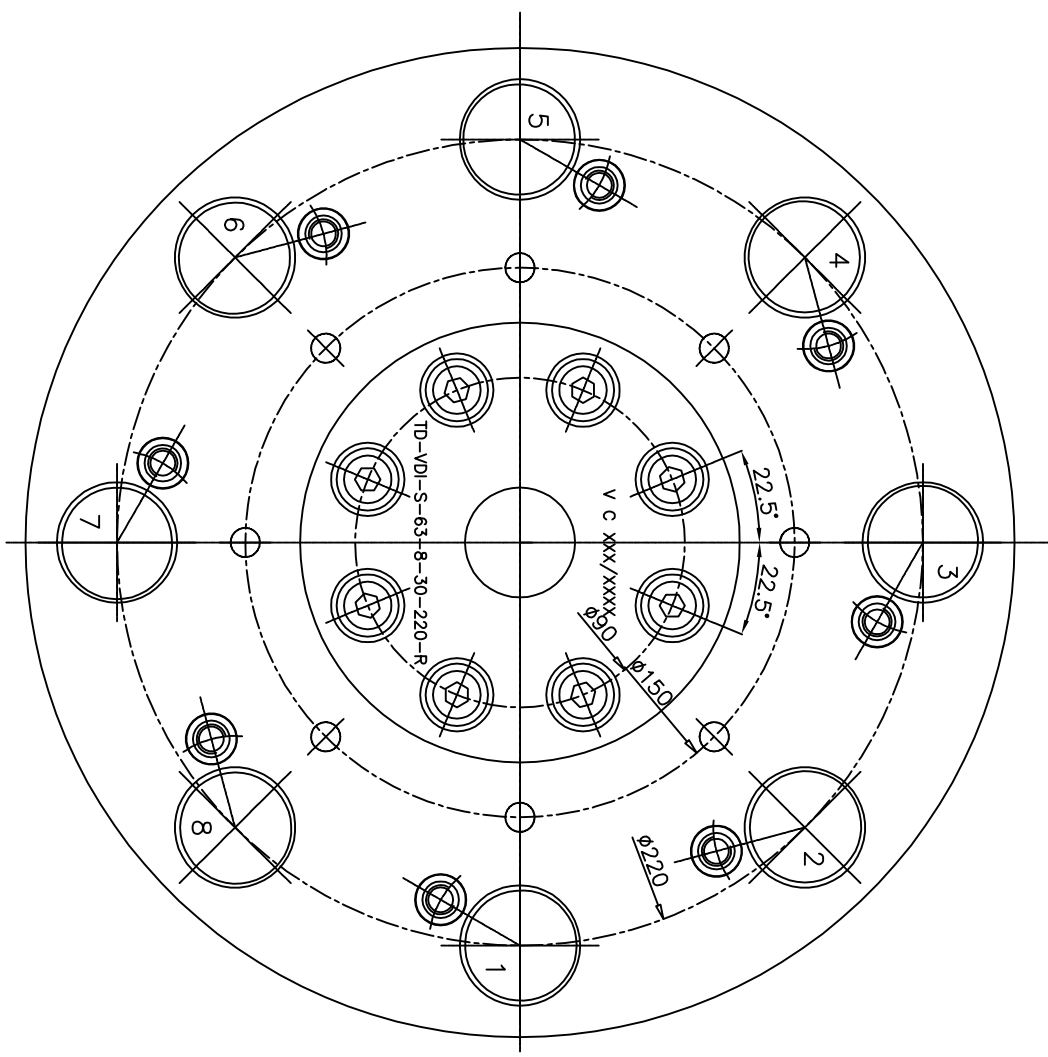


DO NOT SCALE THE DRG. ASK IF IN DOUBT. REMOVE SHARPE EDGES

0.012 / 0.025 / 0.05 / 0.1 / 0.2 / 0.4 / 0.8 / 1.6 / 3.2 / 6.3 / 12.5 / 25 / 50 / 100



MACHINING DEVIATIONS WHERE NOT SPECIFIED

Linear Dimension	Angular Dimension
Known	±0.05
Unknown	±0.1
Up to 30	±0.05
Above 30	±0.1
Up to 100	±0.05
Above 100	±0.1
Up to 300	±0.05
Above 300	±0.1
Up to 1000	±0.05
Above 1000	±0.1

SIZE (A2)	TITLE
1:1	TD-VDI-S-63-8-30-220-R

Doc no.	GROUP	Sign	Date
VDI	TD		
GROUP	TD		
Asy. Dwg. No.			

by	CHECKED	APPROVED
K.MANI		P.SEKAR

REV	SHEET
01	01 OF 01

SD17601

SPH@RTI BANGALORE

A B C D E F 8 7 6 5 4 3 2 1

A B C D E F 8 7 6 5 4 3 2 1