

DO NOT SCALE THE DRG. ASK IF IN DOUBT. REMOVE SHARPE EDGES

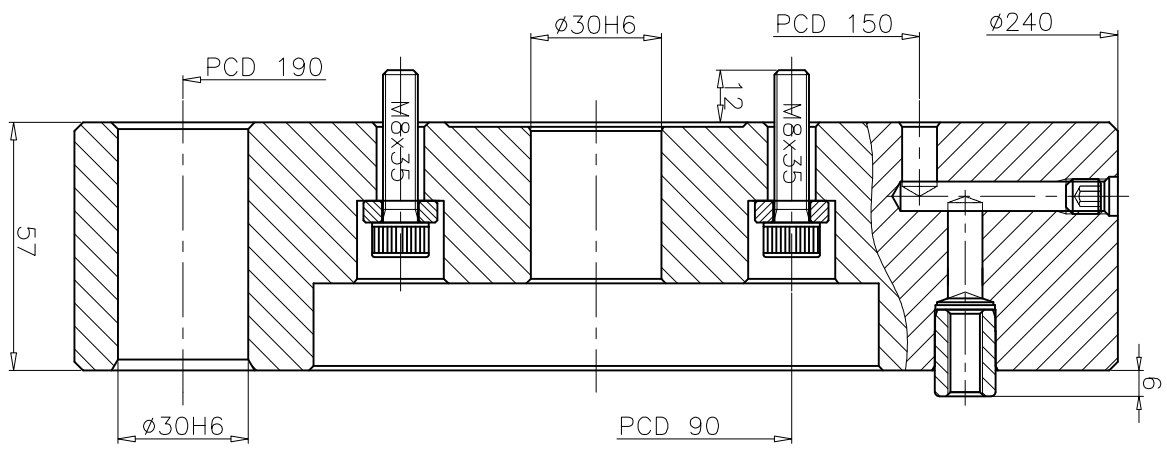
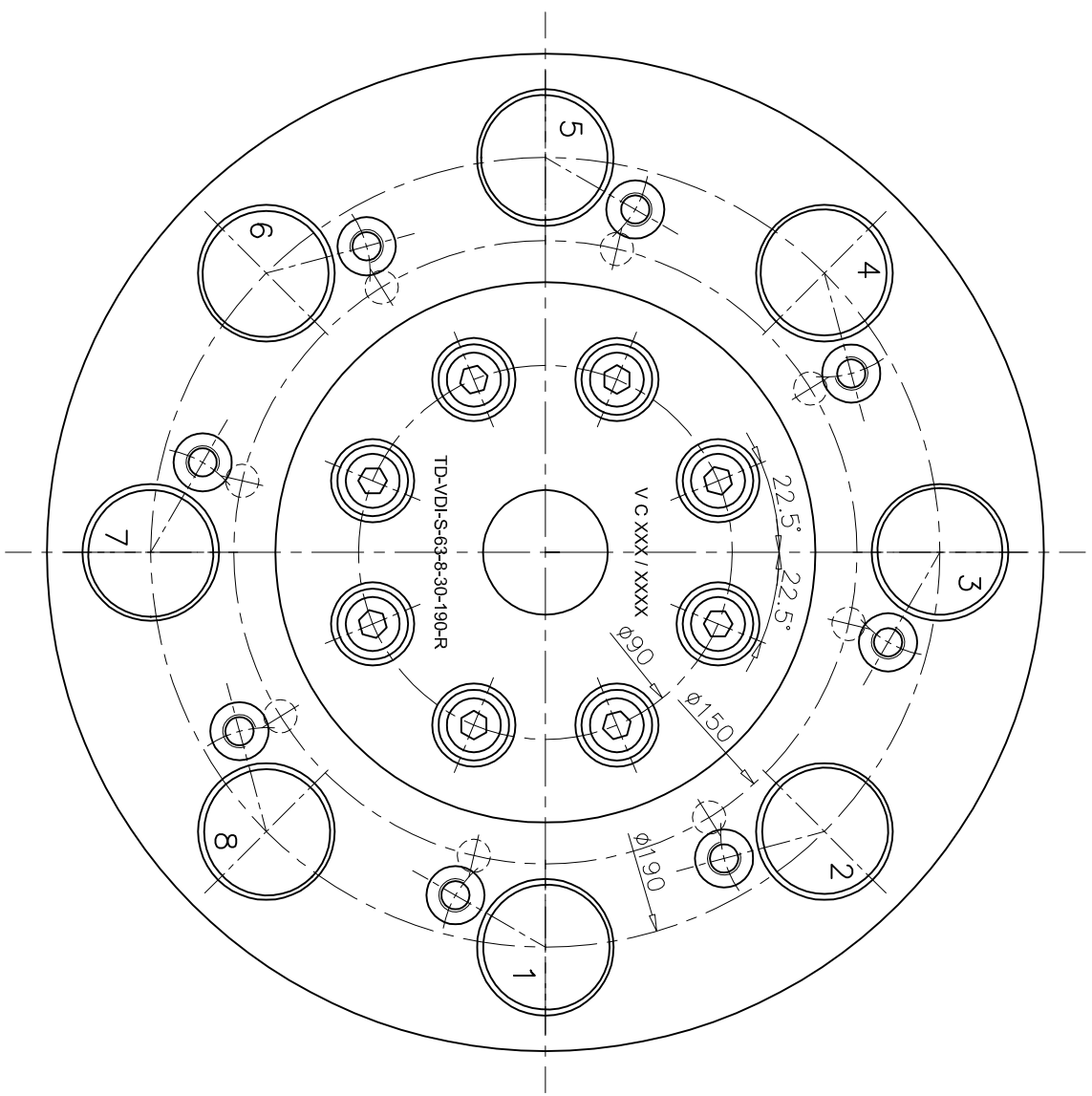
0.012 / 0.025 / 0.05 / 0.1 / 0.2

0.4 / 0.8

1.6 / 3.2 / 6.3

12.5 / 25

50 / 100



MACHINING DEVIATIONS WHERE NOT SPECIFIED

Linear Dimension	Angular Dimension
Above 100	±0.1
30 - 100	±0.2
10 - 30	±0.3
10	±0.5
5	±1.0
1	±1.5
0.5	±2.0
0.2	±3.0
0.1	±4.0
0.05	±5.0
0.02	±6.0
0.01	±7.0
0.005	±8.0
0.002	±10.0
0.001	±12.0

SIZE (A3)	TITLE	SCALE	DATE
NTS	TD-VDI-S-63-8-30-190-R	1:2	18-01-10

THE INFORMATION CONTAIN HEREIN IS THE EXCLUSIVE PROPERTY OF SPHONORNI MACHINE TOOL PVT. LTD. & SHALL BE TREATED AS CONFIDENTIAL.

SPHONORNI
BANGALORE

Doc no. _____
GROUP _____
TD _____
Asy. Drg. No. _____
Sign _____
Date _____
Index _____

by THIRASU
DRAWN _____
CHECKED _____
APPROVED _____
P:SEKAR

DRAWING No. 18-01-10

SD 36 01

REV SHEET 01 010F01