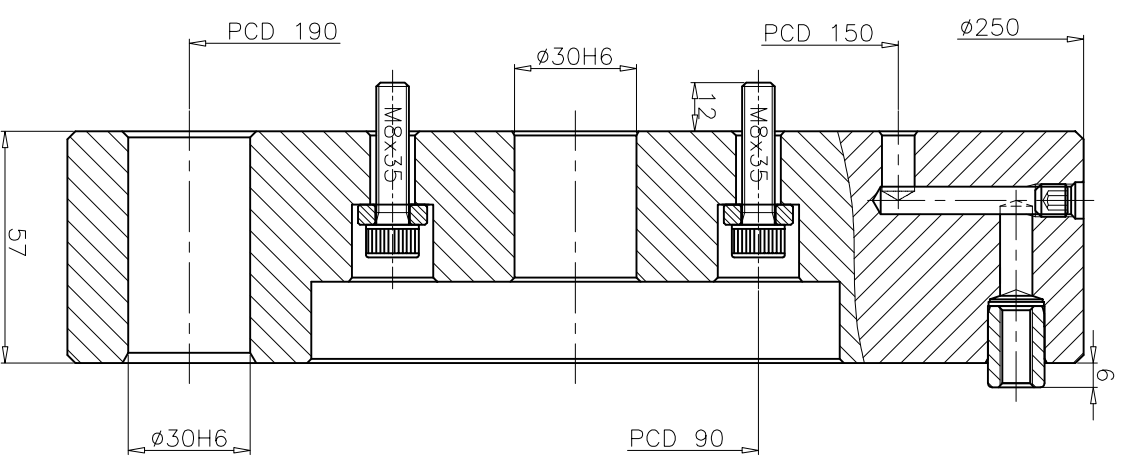
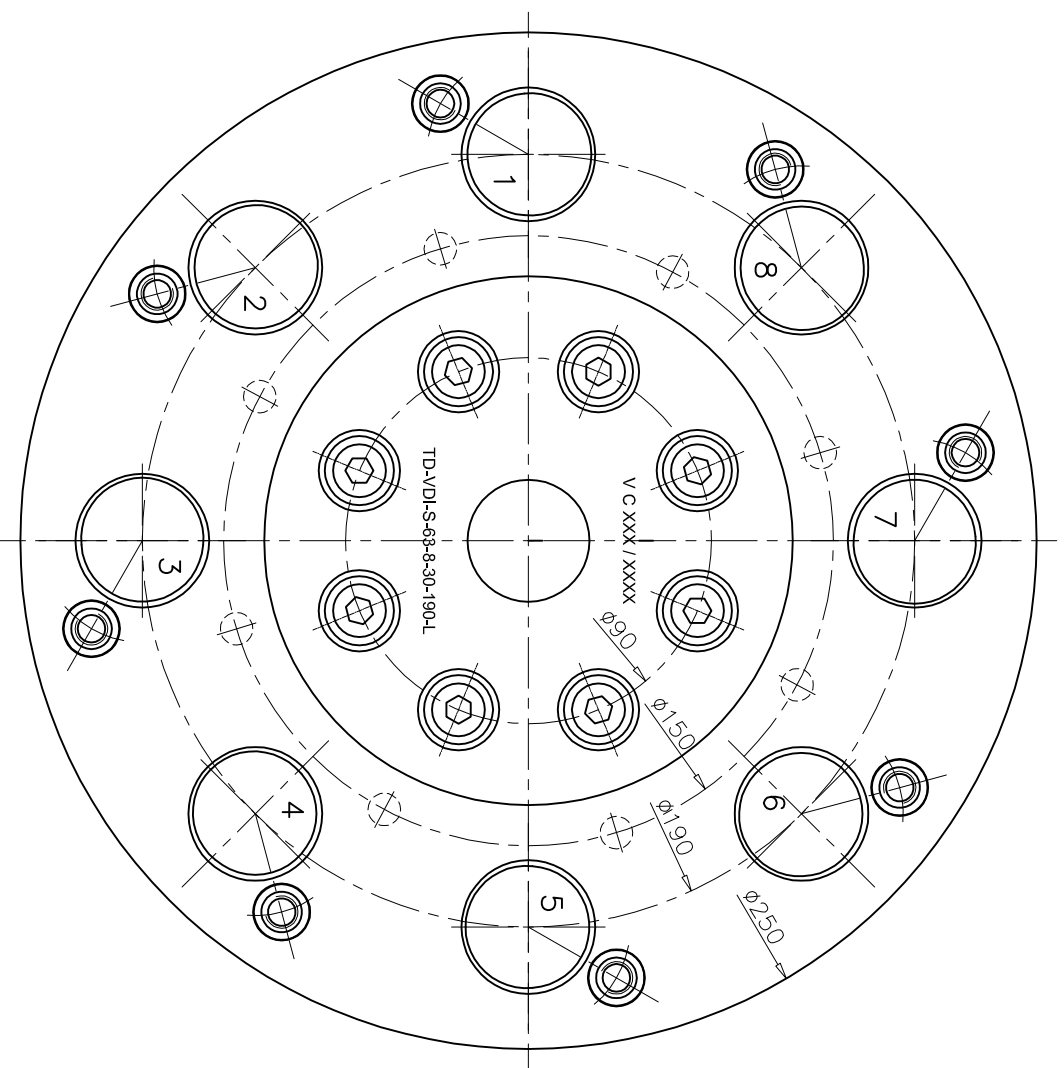


DO NOT SCALE THE DRG. ASK IF IN DOUBT. REMOVE SHARPE EDGES

0.012 / 0.025 / 0.05 / 0.1 / 0.2

0.4 / 0.8 / 1.6 / 3.2 / 6.3 / 12.5 / 25 / 50 / 100



MACHINING DEVIATIONS WHERE NOT SPECIFIED

From	Linear Dimension	Angular Dimension
6	±0.2	±1.0
30	±0.3	±1.8
120	±0.5	±3.0
315	±1.0	±5.0
1000	±1.2	±10'

SIZE (A3)	TD-VDI-S-63-8-30-190-L
SCALE	NTS
DATE	09-09-09
BY	THIRASU
CHECKED	P.SEKAR
APPROVED	

THE INFORMATION CONTAIN HEREIN IS THE EXCLUSIVE PROPERTY OF SPHOORNI MACHINE TOOL PVT. LTD. & SHALL BE TREATED AS CONFIDENTIAL

SPHOORNI
BANGALORE

DRAWING No. **SD 37 01**

REV SHEET 01 010F01