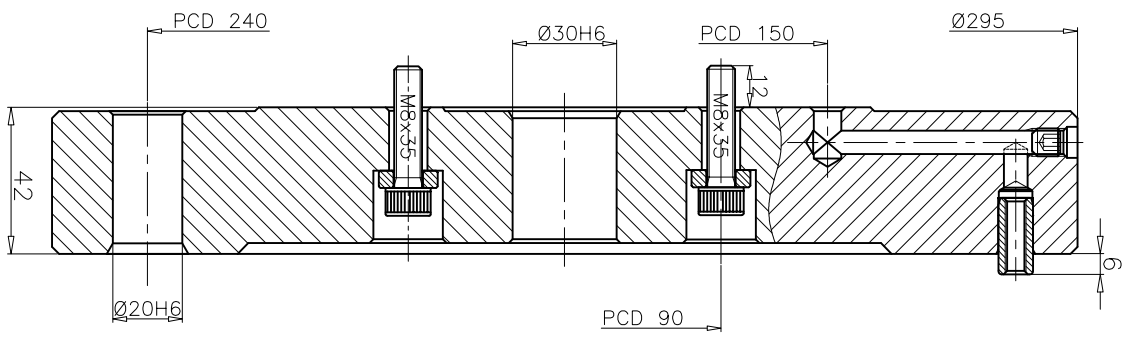
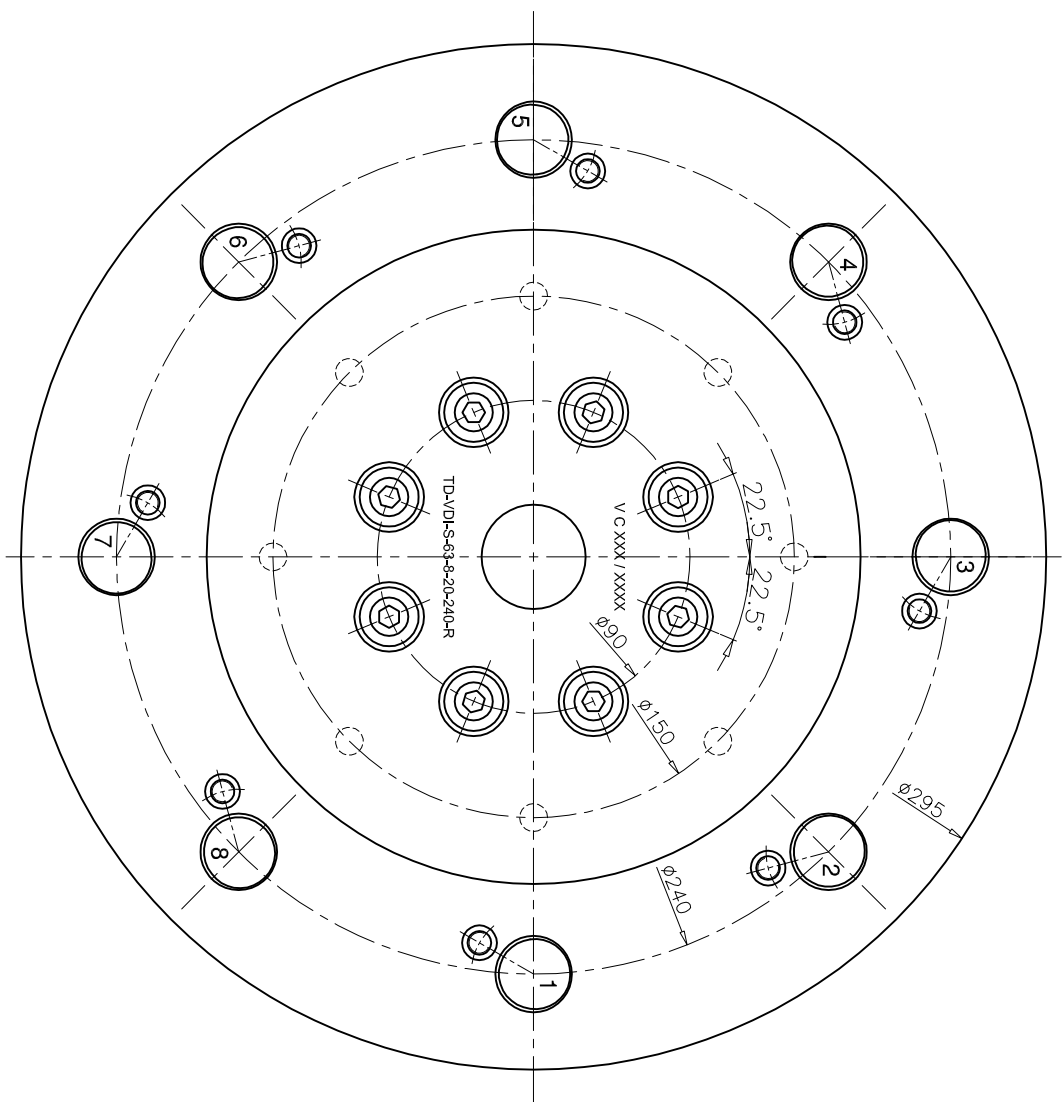


DO NOT SCALE THE DRG. ASK IF IN DOUBT. REMOVE SHARPE EDGES

0.012 / 0.025 / 0.05 / 0.1 / 0.2 / 0.4 / 0.8 / 1.6 / 3.2 / 6.3 / 12.5 / 25 / 50 / 100



MACHINING DEVIATIONS WHERE NOT SPECIFIED

Linear Dimension	Angular Dimension
Above 30	±0.2
30	±0.3
Below 30	±0.3
10	±0.3
5	±0.3
2	±0.3
1	±0.3

SIZE (A3)	TD-VDI-S-63-8-20-240-R
DATE	05-11-05
BY	K.MANI
CHECKED	P.SEKAR
APPROVED	
Doc no.	
GROUP	
TD	
Asy - Drg. No.	
Sign	
Date	
Index	

THE INFORMATION CONTAIN HEREIN IS THE EXCLUSIVE PROPERTY OF SPHOORNI MACHINE TOOL PVT. LTD. & SHALL BE TREATED AS CONFIDENTIAL.

**SPHOORNI**  
BANGALORE

DRAWING No. **SD177101**

REV SHEET 01 010F01