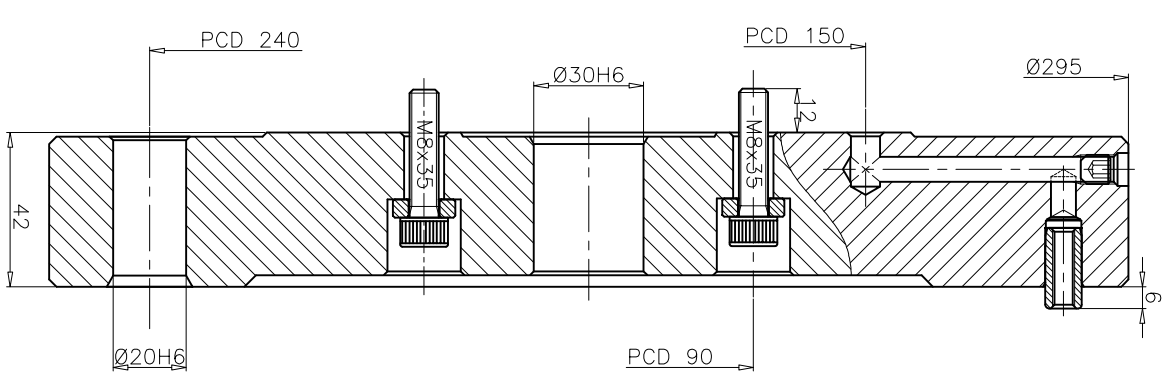
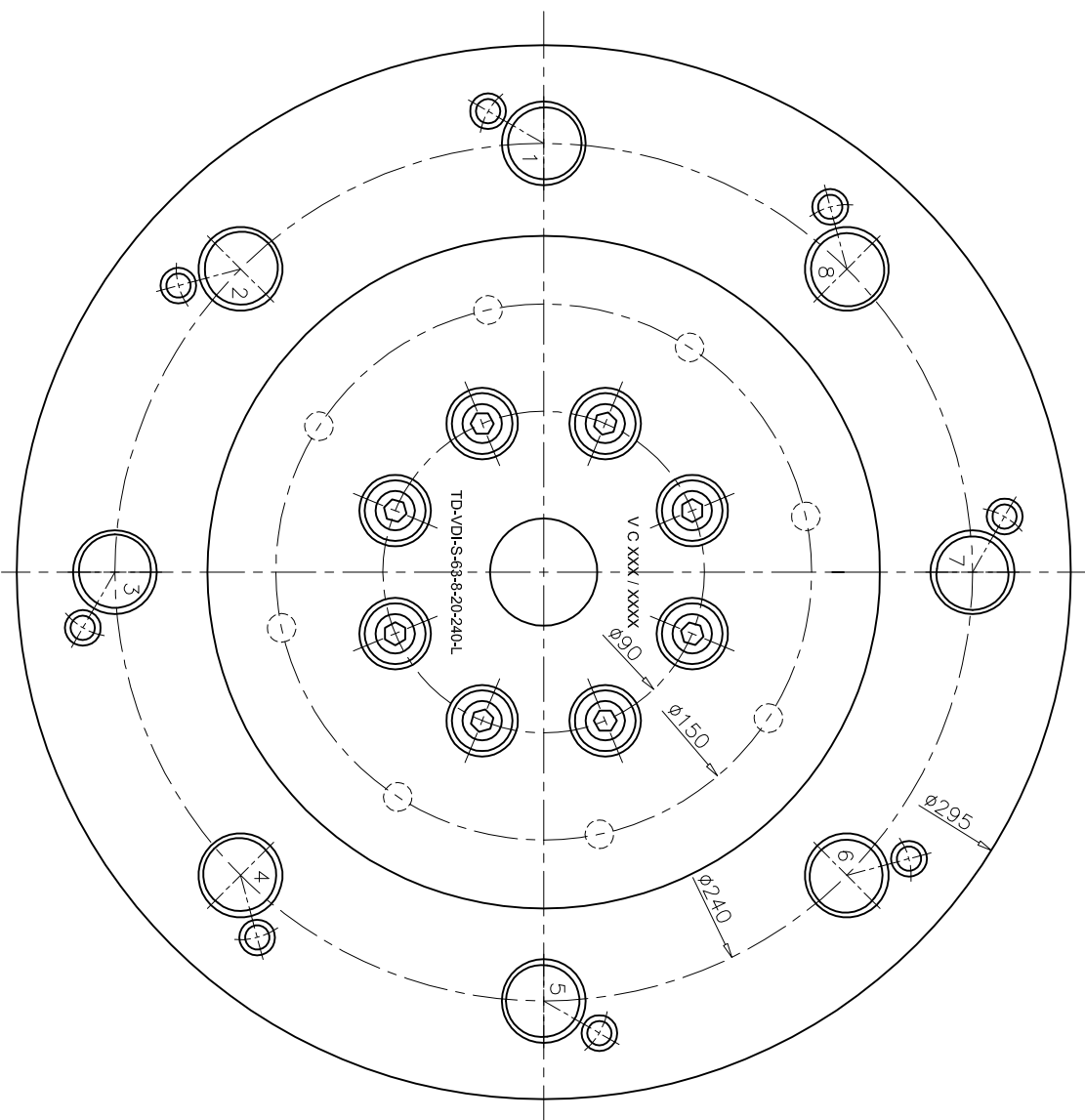


DO NOT SCALE THE DRG. ASK IF IN DOUBT. REMOVE SHARPE EDGES



MACHINING DEVIATIONS WHERE NOT SPECIFIED	
Linear Dimension	Angular Dimension
Above 30	±0.2
6 to 30	±0.3
Below 6	±0.5
30	±1.8
120	±1.8
315	±1.8
510	±1.8
750	±1.8
1000	±1.8
2000	±1.2

**SPRINT**  
 BANGALORE  
 TD-VDI-S-63-8-20-240-L  
 by SHASIDHAR THAYAGU P. SEKAR  
 04-04-08 04-04-08 04-04-08  
 DRAWING No. SD24101  
 REV SHEET 01 010F01

A B C D E F 8 7 6 5 4 3 2 1

A B C D E F 8 7 6 5 4 3 2 1