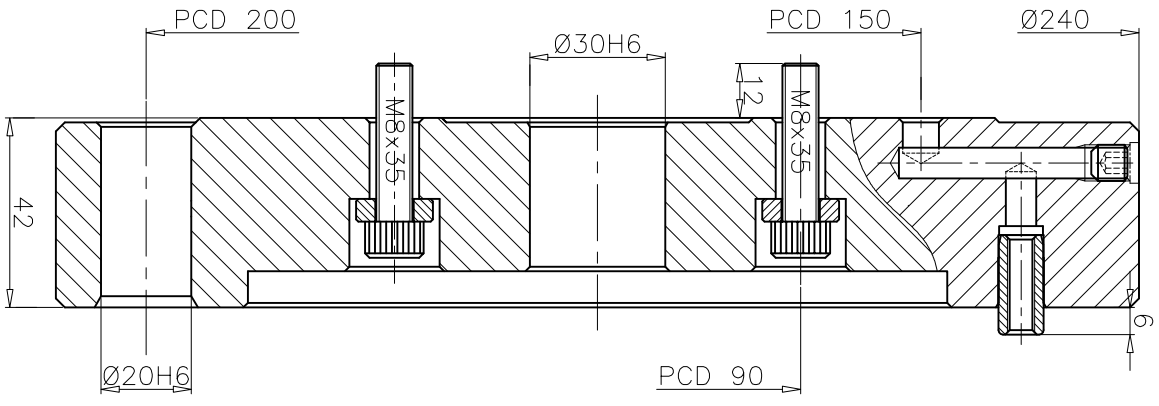
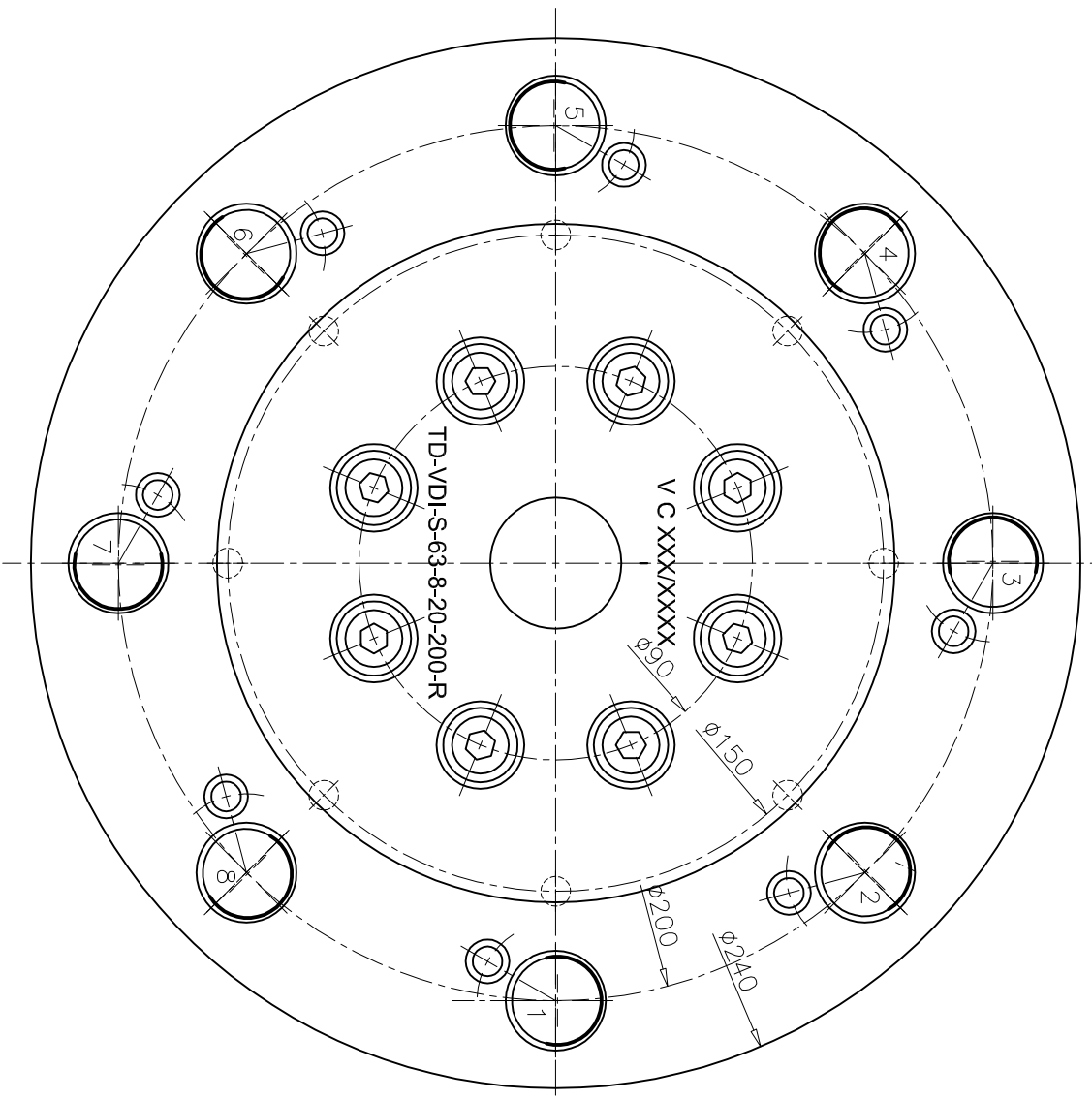


DO NOT SCALE THE DRG. ASK IF IN DOUBT. REMOVE SHARPE EDGES

0.012 / 0.025 / 0.05 / 0.1 / 0.2 / 0.4 / 0.8 / 1.6 / 3.2 / 6.3 / 12.5 / 25 / 50 / 100



MACHINING DEVIATIONS WHERE NOT SPECIFIED

Linear Dimension	Angular Dimension
Above 120	±0.2
30 - 120	±0.3
6 - 30	±0.5
1.5 - 6	±1.0
0.5 - 1.5	±1.5
0.2 - 0.5	±2.0
0.1 - 0.2	±3.0
0.05 - 0.1	±4.0
0.02 - 0.05	±5.0
0.01 - 0.02	±6.0
0.005 - 0.01	±7.0
0.002 - 0.005	±8.0
0.001 - 0.002	±10.0

THE INFORMATION CONTAIN HEREIN IS THE EXCLUSIVE PROPERTY OF SPMHORI MACHINE TOOL PVT. LTD. & SHALL BE TREATED AS CONFIDENTIAL.

SPMORI
BANGALORE

by SADASHIVA VASANTH P. SEKAR
DRAWN VDI GROUP TD ASBY-DRG. No. -
CHECKED APPROVED

Model No. 02-12-14 02-12-14 02-12-14
Doc No. 02-12-14 02-12-14 02-12-14

DATE INDEX

SCALE: NTS

TITLE: TD-VDI-S-63-8-20-200-R

SD50001

REV SHEET 01 010F01