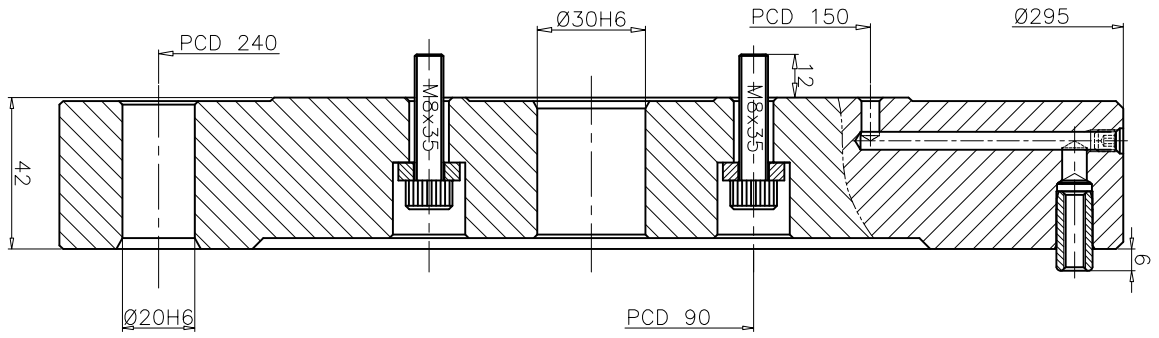
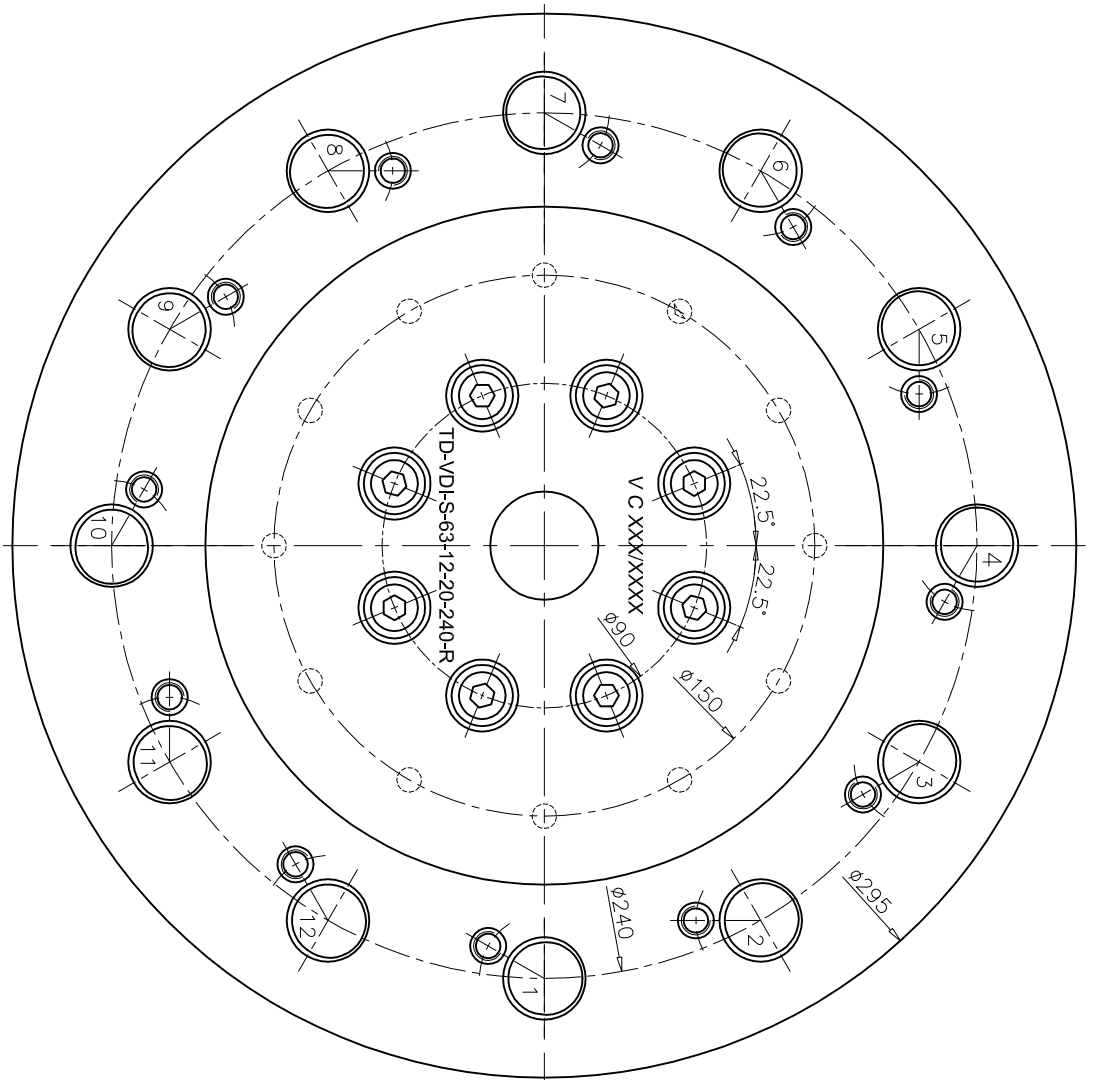


DO NOT SCALE THE DRG. ASK IF IN DOUBT. REMOVE SHARPE EDGES

0.012 / 0.025 / 0.05 / 0.1 / 0.2 / 0.4 / 0.8 / 1.6 / 3.2 / 6.3 / 12.5 / 25 / 50 / 100



MACHINING DEVIATIONS WHERE NOT SPECIFIED

Linear Dimension	Angular Dimension
Above 100	±0.1
30 - 100	±0.2
6 - 30	±0.3
Below 6	±0.5
±0.1	±1.0
±0.2	±1.8
±0.3	±3.0
±0.5	±5.0
±1.0	±10.0
±1.2	±15.0
±1.5	±20.0
±2.0	±30.0
±3.0	±45.0
±5.0	±75.0
±10.0	±150.0
±15.0	±225.0
±20.0	±300.0
±30.0	±450.0
±50.0	±750.0
±100.0	±1500.0
±150.0	±2250.0
±200.0	±3000.0
±300.0	±4500.0
±500.0	±7500.0
±1000.0	±15000.0

THE INFORMATION CONTAIN HEREIN IS THE EXCLUSIVE PROPERTY OF SPHOOORTRI MACHINE TOOL PVT. LTD. & SHALL BE TREATED AS CONFIDENTIAL.

SPHOOORTRI
BANGALORE

MODEL: VDI GROUP TD
by: K.MANI
DRAWING No. 05-11-05

SD24503

REV SHEET 01 010F01