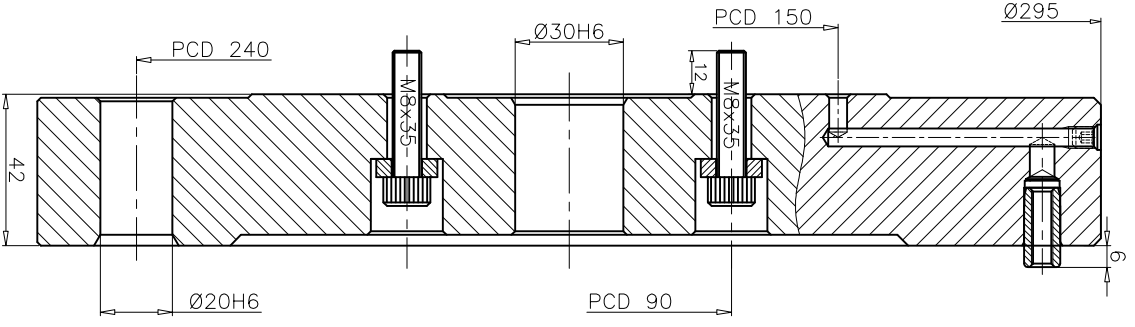
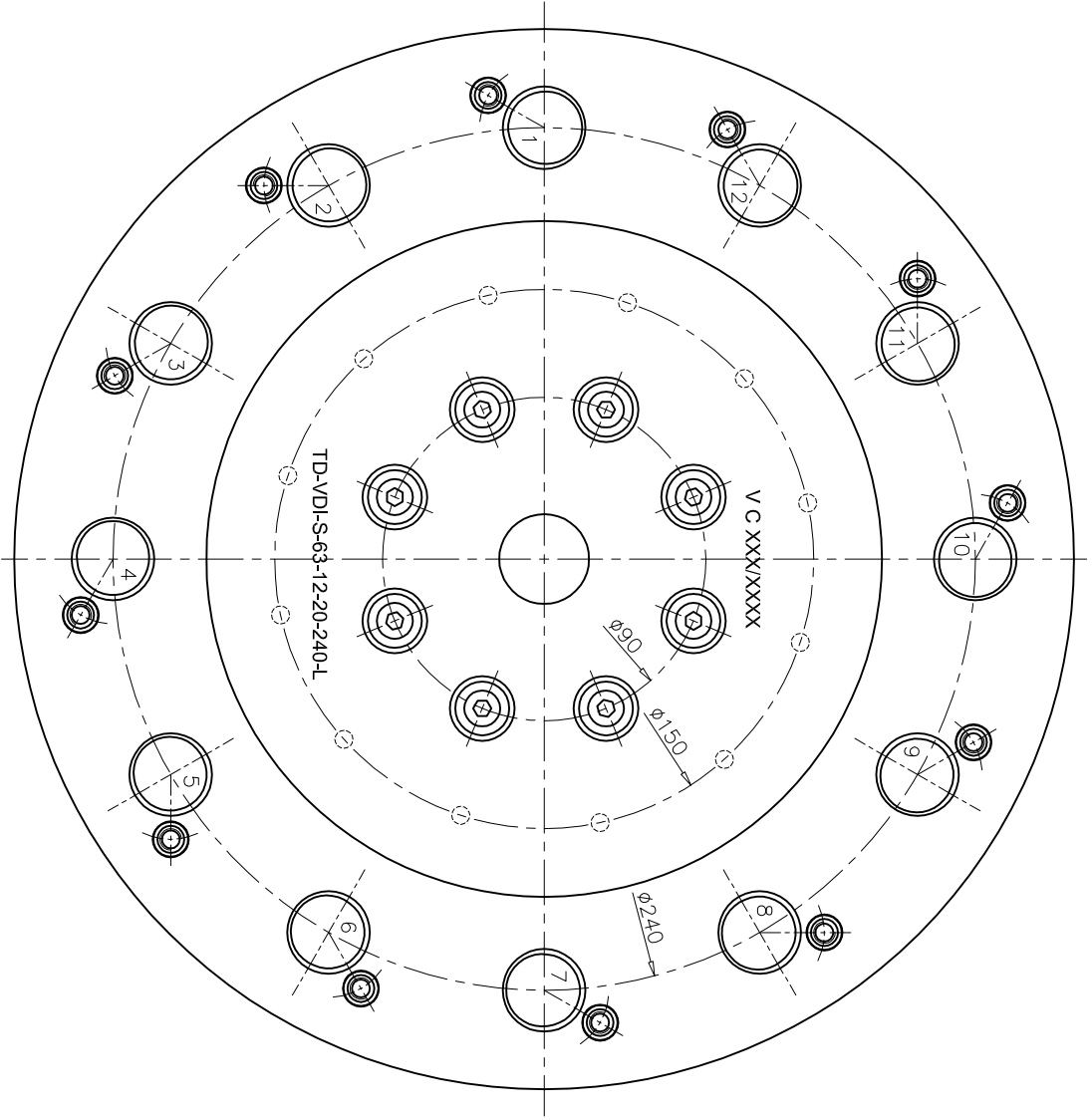


DO NOT SCALE THE DRG. ASK IF IN DOUBT. REMOVE SHARPE EDGES

0.012 / 0.025 / 0.05 / 0.1 / 0.2 / 0.4 / 0.8 / 1.6 / 3.2 / 6.3 / 12.5 / 25 / 50 / 100



MACHINING DEVIATIONS WHERE NOT SPECIFIED

Linear Dimension	Angular Dimension
Above 30	±0.2
30	±0.3
15	±0.5
10	±0.8
5	±1.0
3	±1.5
2	±2.0
1	±3.0
0.5	±4.0
0.2	±5.0
0.1	±6.0
0.05	±7.0
0.02	±8.0
0.01	±10.0

THE INFORMATION CONTAIN HEREIN IS THE EXCLUSIVE PROPERTY OF SPSHOORI MACHINE TOOL PVT. LTD. & SHALL BE TREATED AS CONFIDENTIAL.

SPS
SHOORI
RTI
BANGALORE

MODEL VDI GROUP TD ASBY-DRG. No. Sign Date Index

SCALE NTS TITLE TD-VDI-S-63-12-20-240-L

by K.MANI DRAWN CHECKED APPROVED P.SEKAR

DRAWING No. 19-01-08

SD24604

REV SHEET 01 010F01