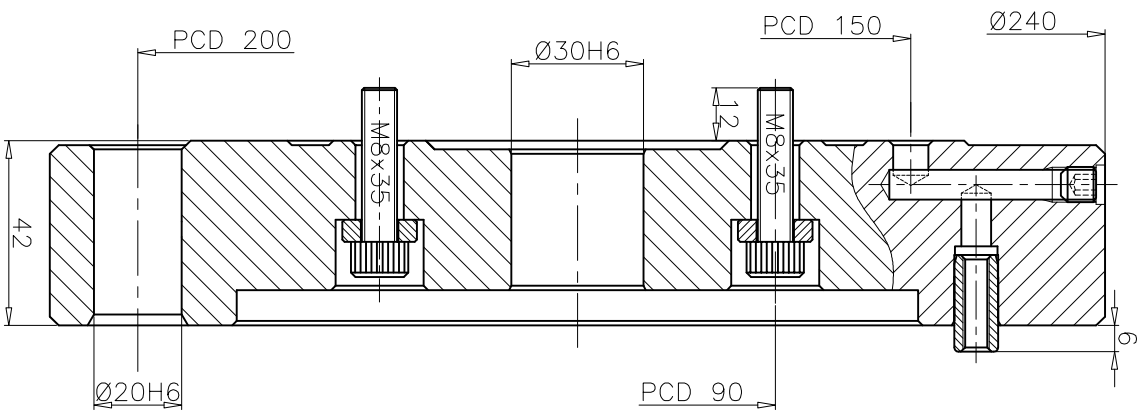
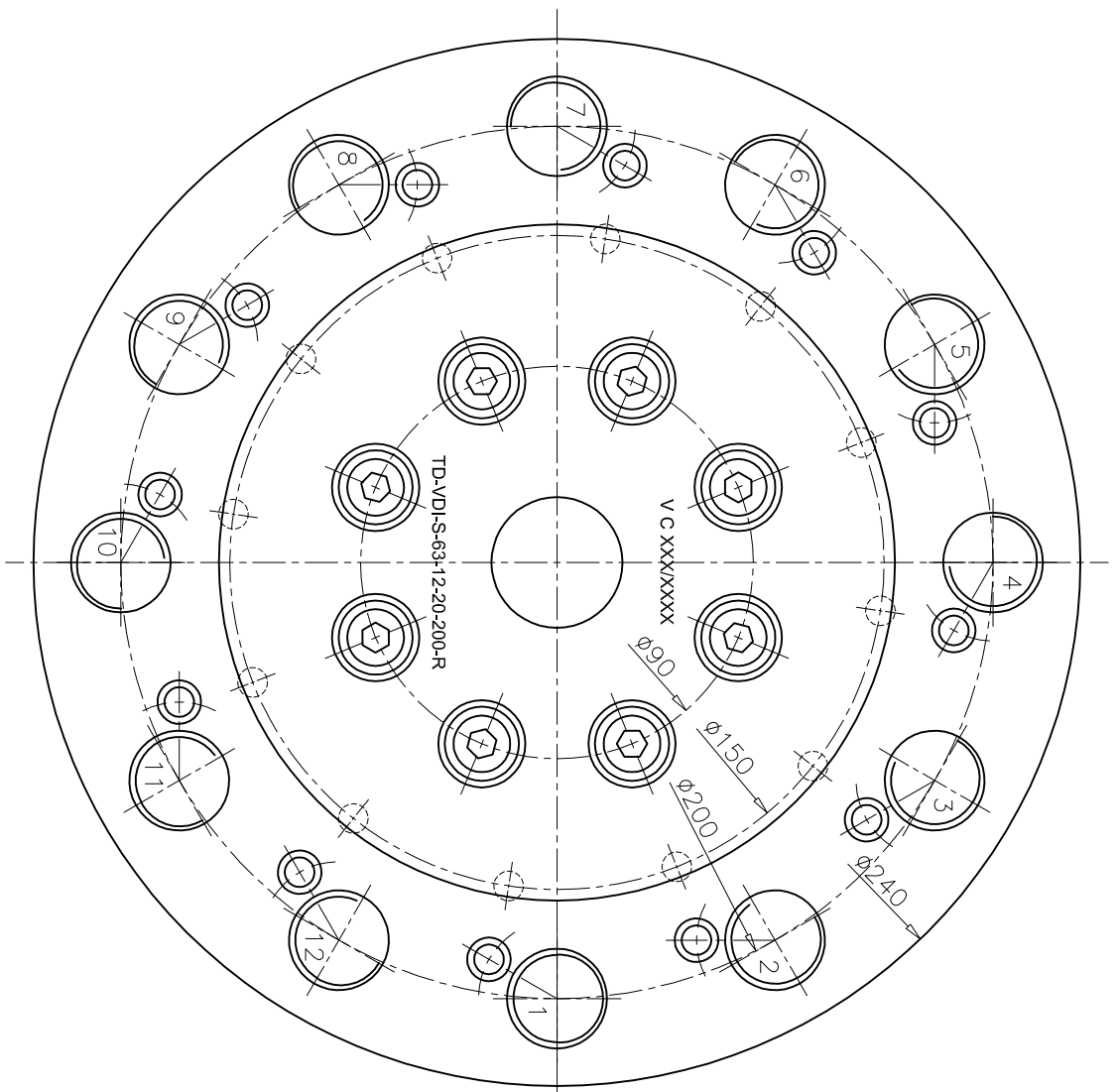


DO NOT SCALE THE DRG. ASK IF IN DOUBT. REMOVE SHARPE EDGES

0.012	0.025	0.05	0.1	0.2	0.4	0.8	1.6	3.2	6.3	12.5	25	50	100
-------	-------	------	-----	-----	-----	-----	-----	-----	-----	------	----	----	-----



MACHINING DEVIATIONS WHERE NOT SPECIFIED

From	Linear Dimension	Angular Dimension	From	Unit	Deviation	From	Unit	Deviation
0	±0.2	±10'	0	mm	±0.2	0	mm	±10'
30	±0.3	±10'	10	mm	±0.3	10	mm	±10'
60	±0.4	±10'	20	mm	±0.4	20	mm	±10'
120	±0.5	±10'	50	mm	±0.5	50	mm	±10'
150	±0.6	±10'	100	mm	±0.6	100	mm	±10'
180	±0.7	±10'	150	mm	±0.7	150	mm	±10'
200	±0.8	±10'	200	mm	±0.8	200	mm	±10'

SIZE (A3)

TD-VDI-S-63-12-20-200-R

by AJESH

Doc no. VDI

GROUP TD

Asy - Drg. No. -

DATE

INDEX

SD17001

REV SHEET 01 010F01

SPHONORITI BANGALORE