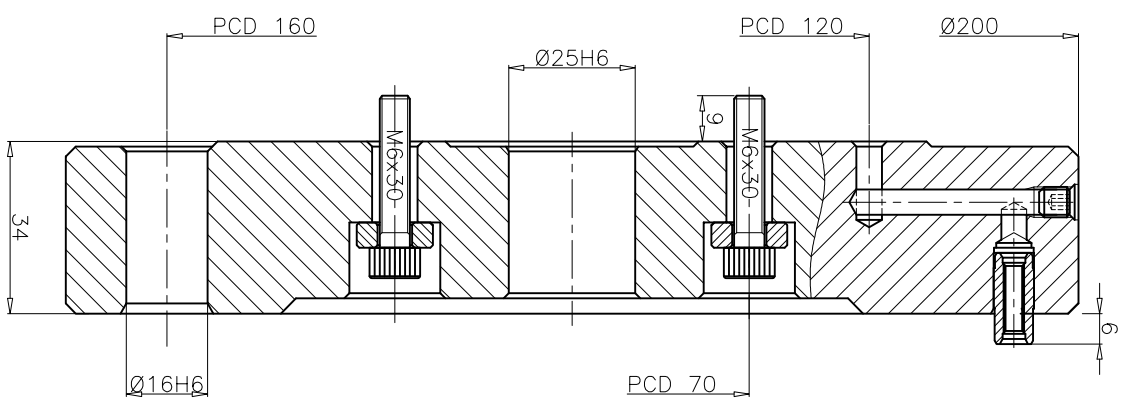
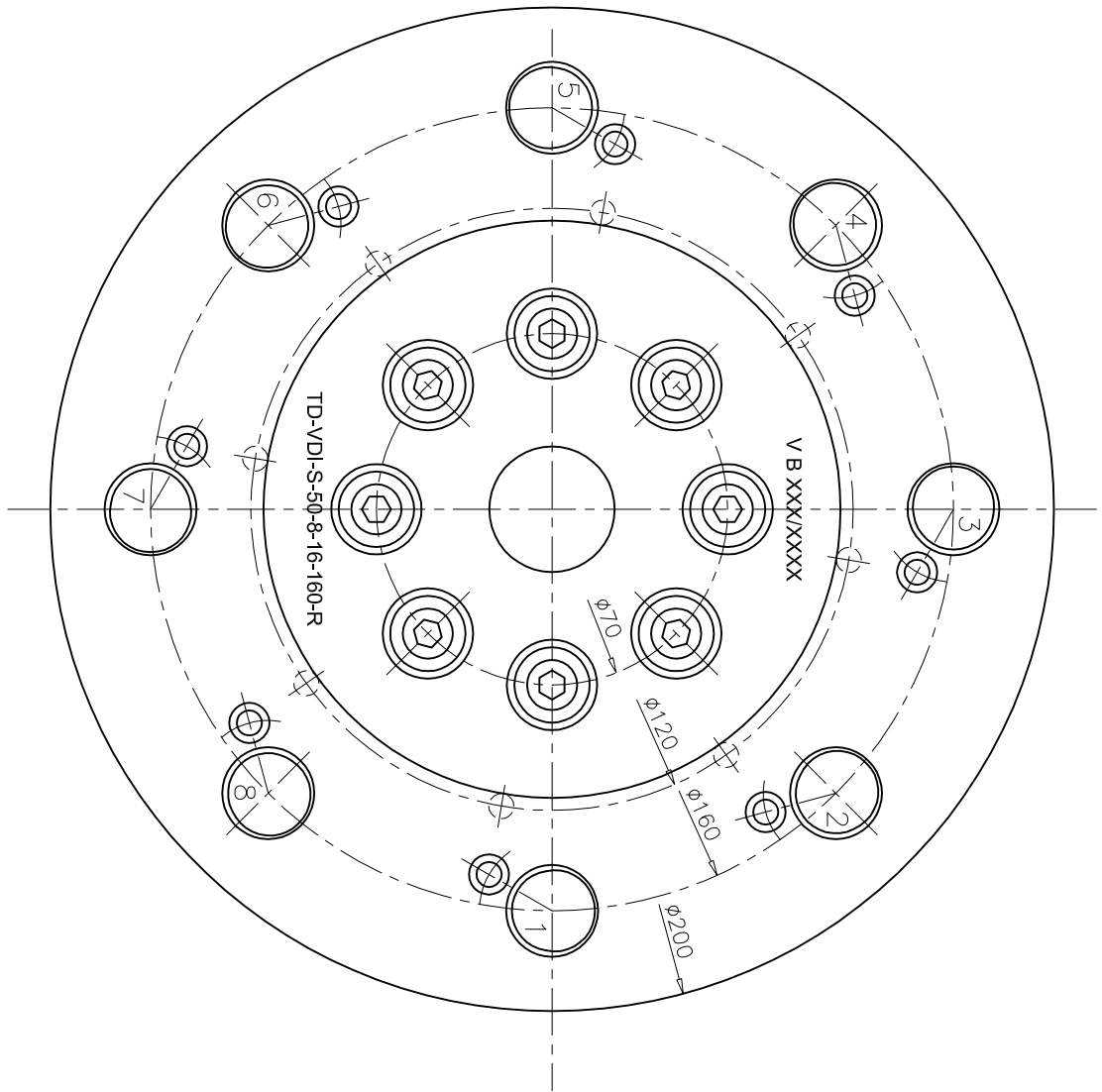


DO NOT SCALE THE DRG. ASK IF IN DOUBT. REMOVE SHARPE EDGES

0.012 / 0.025 / 0.05 / 0.1 / 0.2 / 0.4 / 0.8 / 1.6 / 3.2 / 6.3 / 12.5 / 25 / 50 / 100



MACHINING DEVIATIONS WHERE NOT SPECIFIED

From	Unit	Deviation	Angular Dimension	Deviation in
6	mm	±0.2	mm	mm
30	mm	±0.3	mm	mm
120	mm	±0.5	mm	mm
170	mm	±0.5	mm	mm
10000	mm	±1.2	mm	mm

Angular Dimension

From	Unit	Deviation
6	mm	±1.8
30	mm	±3.0
120	mm	±5.0
170	mm	±5.0
10000	mm	±10.0

Doc no. _____
 Date _____

THE INFORMATION CONTAIN HEREIN IS THE EXCLUSIVE PROPERTY OF SPHONOR MACHINE TOOL PVT. LTD. & SHALL BE TREATED AS CONFIDENTIAL

SPHONOR
BANGALORE

MODEL VDI GROUP TD ASSEY- DRG. No. _____
 DRAWN D.JAYA _____
 CHECKED _____
 APPROVED P.SEKAR _____

SIZE (A3) TD-VDI-S-50-8-16-160-R
 SCALE NTS
 DRAWING No. 22-04-11
 REV SHEET 01 010F01