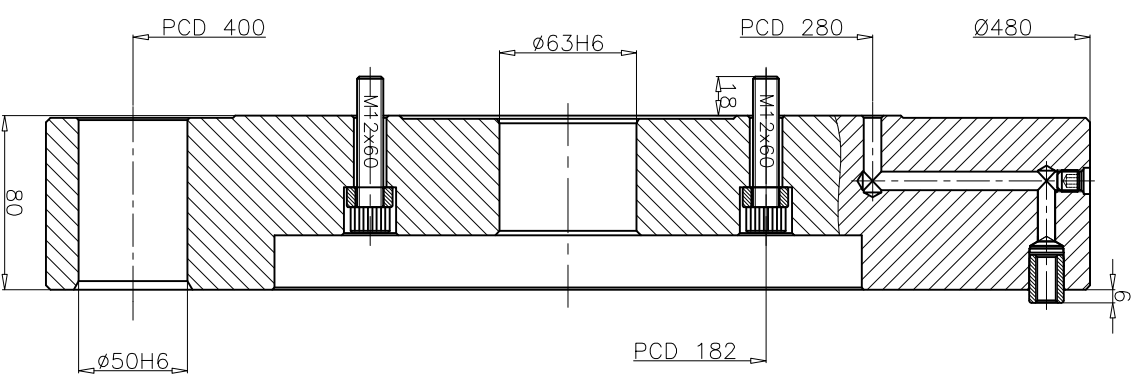
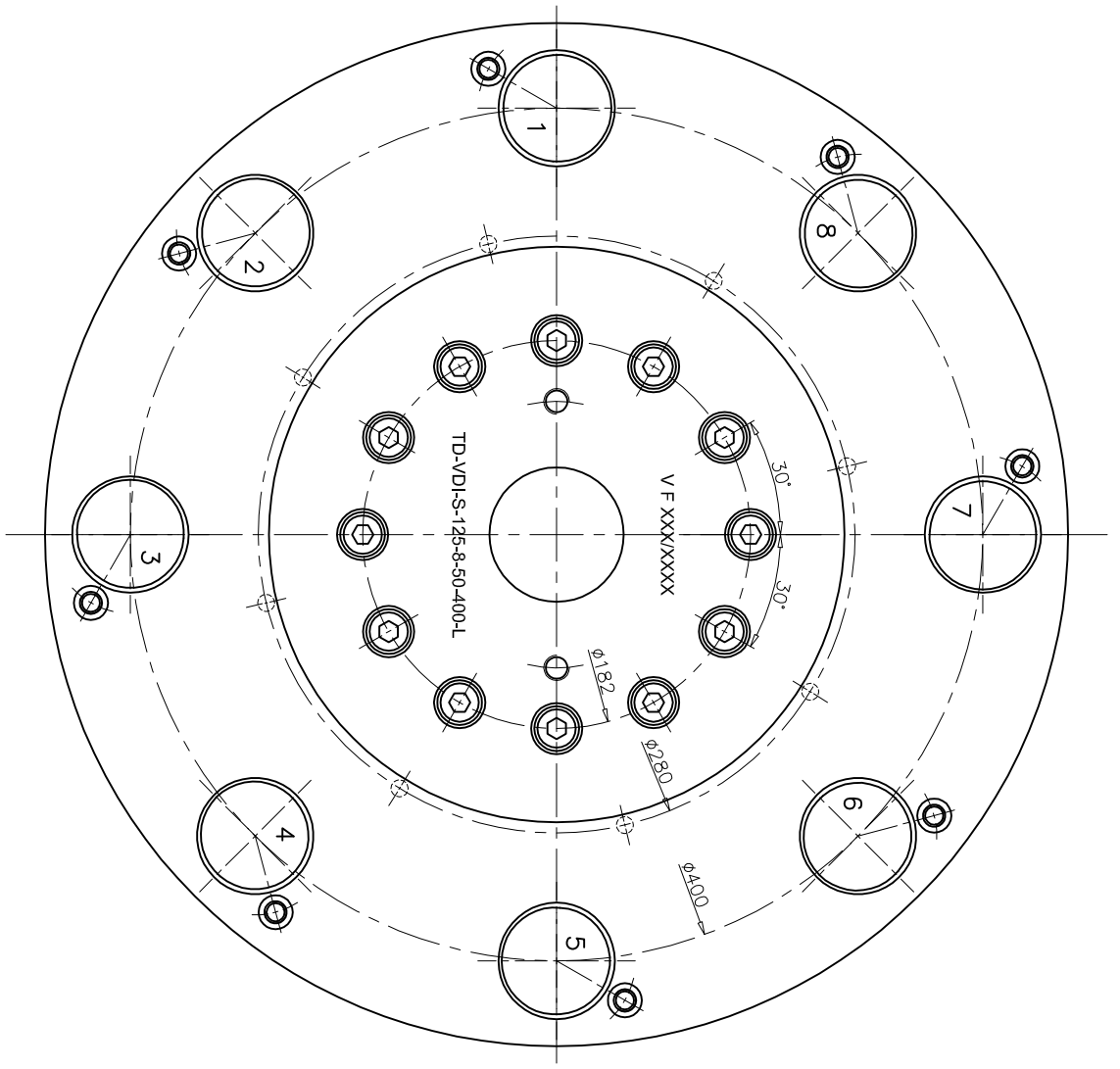


DO NOT SCALE THE DRG. ASK IF IN DOUBT. REMOVE SHARPE EDGES

0.012 / 0.025 / 0.05 / 0.1 / 0.2 / 0.4 / 0.8 / 1.6 / 3.2 / 6.3 / 12.5 / 25 / 50 / 100



MACHINING DEVIATIONS WHERE NOT SPECIFIED

From	Linear Dimension	Angular Dimension	Deviation in
Size (A3)	Unit	Deviation	mm / 100 mm / Minutes
6	30	$\pm 0.2$	Above
30	120	$\pm 0.3$	Above
100	375	$\pm 0.5$	Above
175	510	$\pm 0.8$	Above
10000	2600	$\pm 1.2$	Above

THE INFORMATION CONTAIN HEREIN IS THE EXCLUSIVE PROPERTY OF SPHODHINI MACHINE TOOL PVT. LTD. & SHALL BE TREATED AS CONFIDENTIAL.

**SPHODHINI**  
BANGALORE

MODEL VDI GROUP TD

SCALE NTS

SIZE (A3) TD-VDI-S-125-8-50-400-L

by THIRASU

DRAWING No. SD 55 01

30-03-10

30-03-10

P. SEKAR

REV SHEET 01 010F01