

DO NOT SCALE THE DRG. ASK IF IN DOUBT. REMOVE SHARPE EDGES

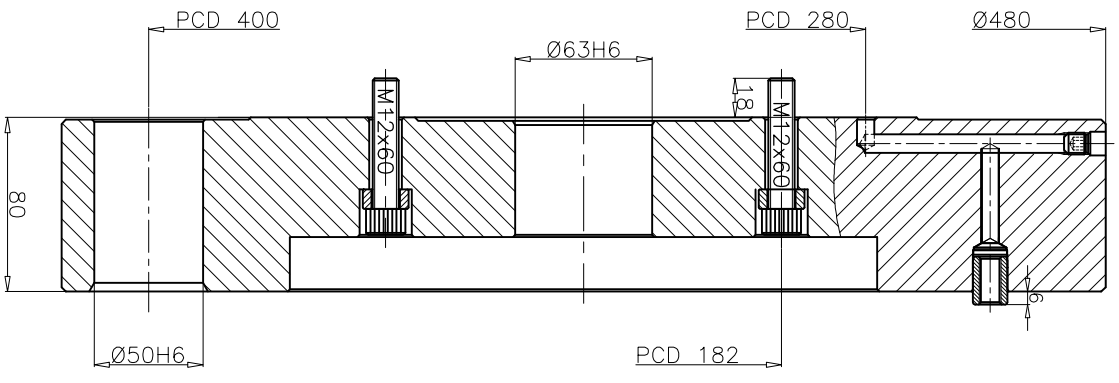
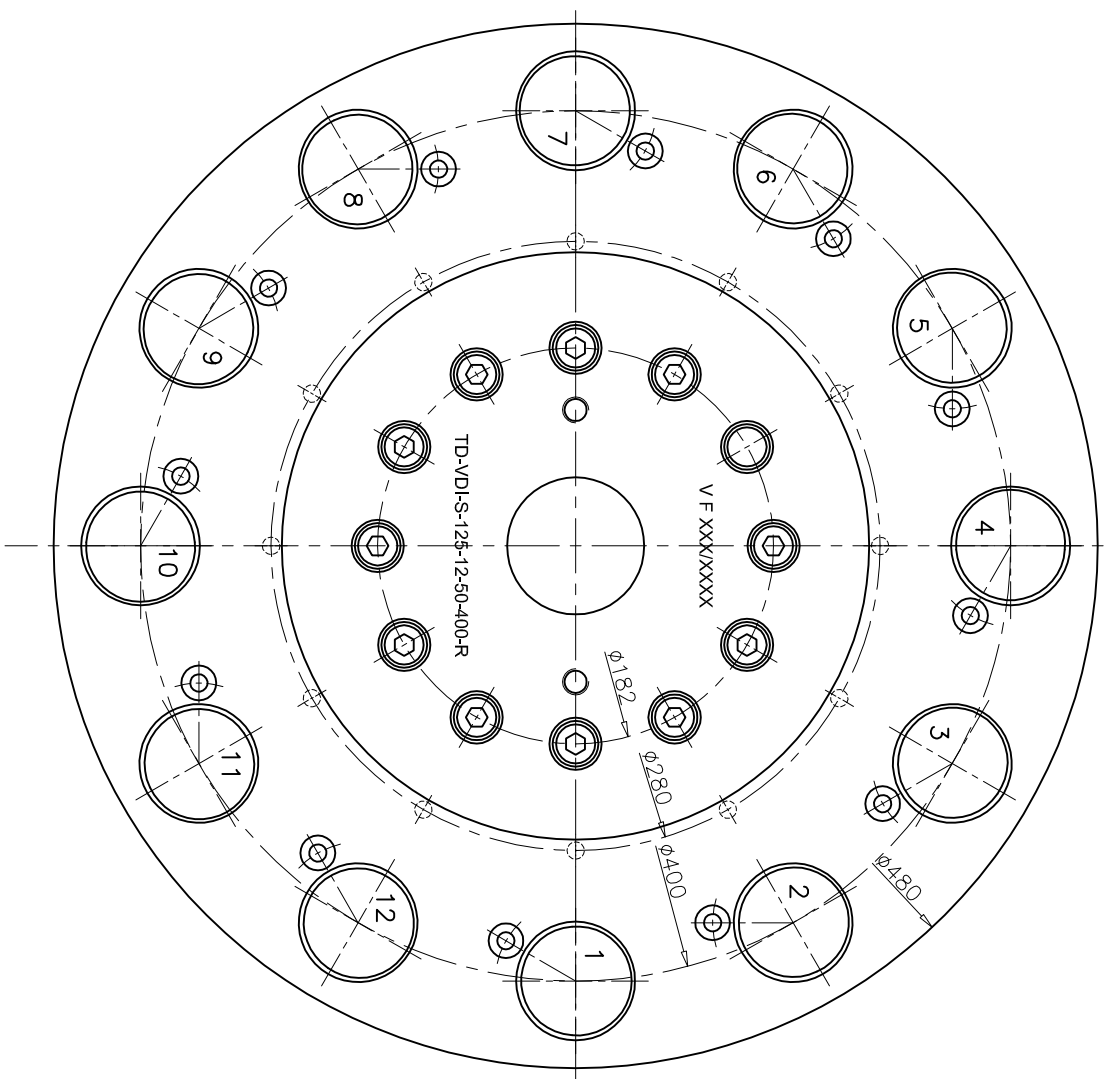
0.012 / 0.025 / 0.05 / 0.1 / 0.2

0.4 / 0.8

1.6 / 3.2 / 6.3

12.5 / 25

50 / 100



MACHINING DEVIATIONS WHERE NOT SPECIFIED

From	Unit	Deviation	Length of Spher	Angular Dimension	Deviation in
6	30	±0.2	Above	10	±1°
30	120	±0.3	10	±0.9	±30"
150	315	±0.5	50	±0.9	±30"
170	510	±0.5	50	±0.9	±30"
1000	2000	±1.2	120	±0.3	±10"

SCALE: NTS

TITLE: TD-VDI-S-125-12-50-400-R

by: THIRASU

Doc no.:

GROUP: TD

CHECKED: P. SEKAR

APPROVED:

DATE: 30-03-10

REV: 01

SHEET: 01 OF 01

SD 58 01

SPHOO RTI BANGALORE