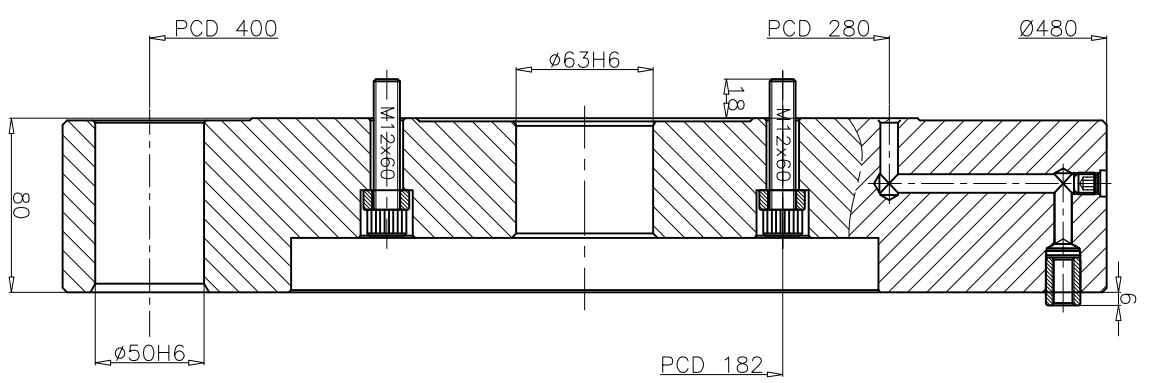
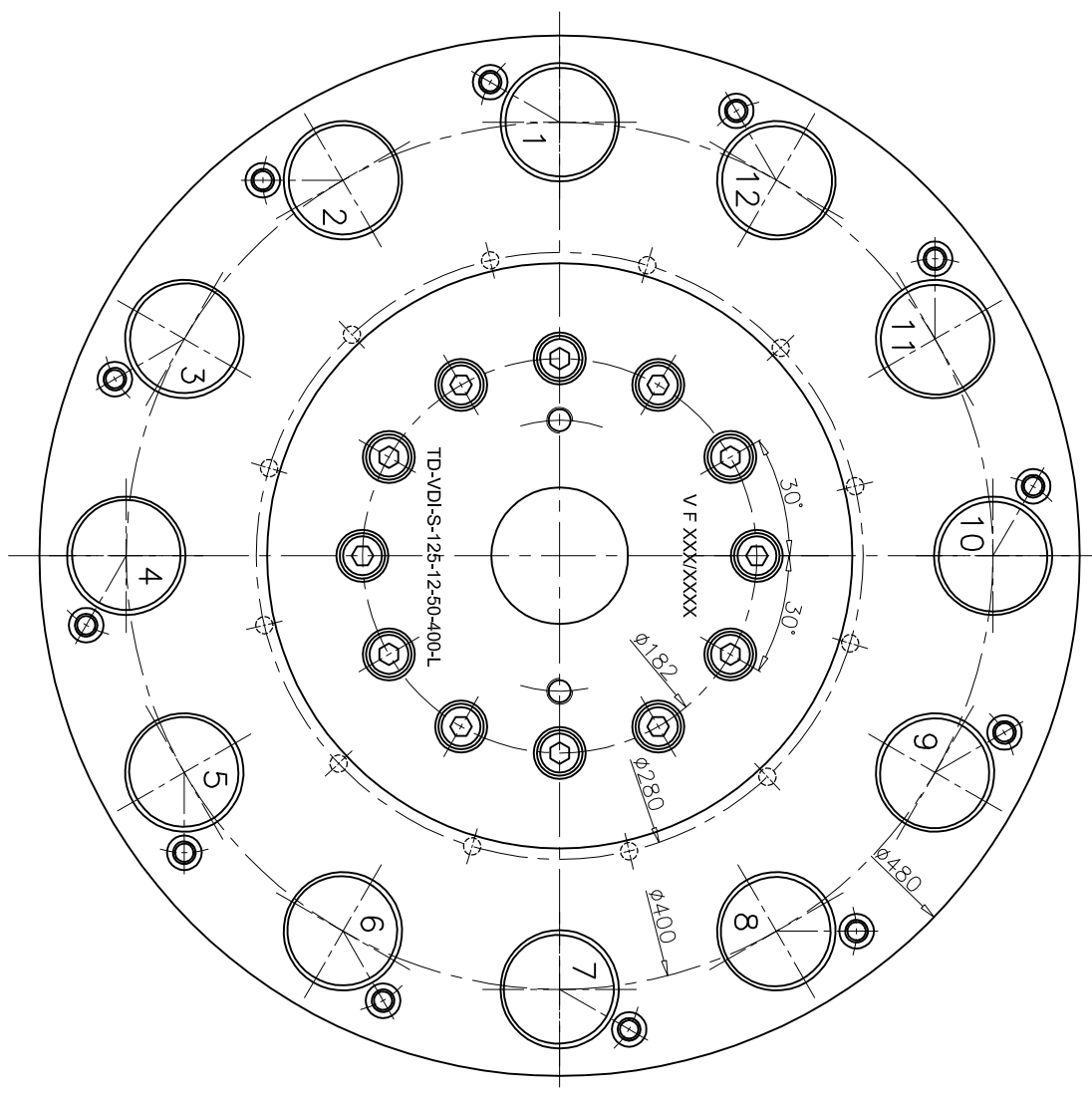


DO NOT SCALE THE DRG. ASK IF IN DOUBT. REMOVE SHARPE EDGES

0.012 / 0.025 / 0.05 / 0.1 / 0.2

0.4 / 0.8 / 1.6 / 3.2 / 6.3 / 12.5 / 25 / 50 / 100



MACHINING DEVIATIONS WHERE NOT SPECIFIED

From	Unit	Deviation	Length of Square	Angular Dimension	Deviation in
6	30	±0.2	Above	10	±1.8
30	120	±0.3	10	±1.8	±1.7
6	30	±0.3	10	±1.8	±1.7
30	120	±0.3	10	±1.8	±1.7
10000	2000	±1.2	120	±1.0	±1.0

SIZE (A3)

TD-VDI-S-125-12-50-400-L

by THIRASU

Doc no. 11-03-10

GROUP TD

CHECKED P. SEKAR

APPROVED

DATE

INDEX

REV SHEET

01 010F01

SD 59 01

DRAWING No. 11-03-10

SPH@ORTI BANGALORE

THE INFORMATION CONTAIN HEREIN IS THE EXCLUSIVE PROPERTY OF SPH@ORTI MACHINE TOOL PVT. LTD. & SHALL BE TREATED AS CONFIDENTIAL.