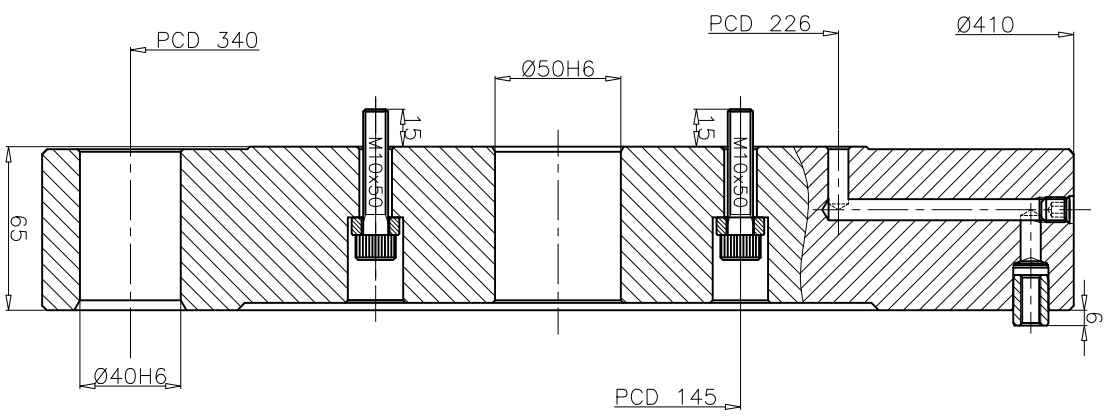
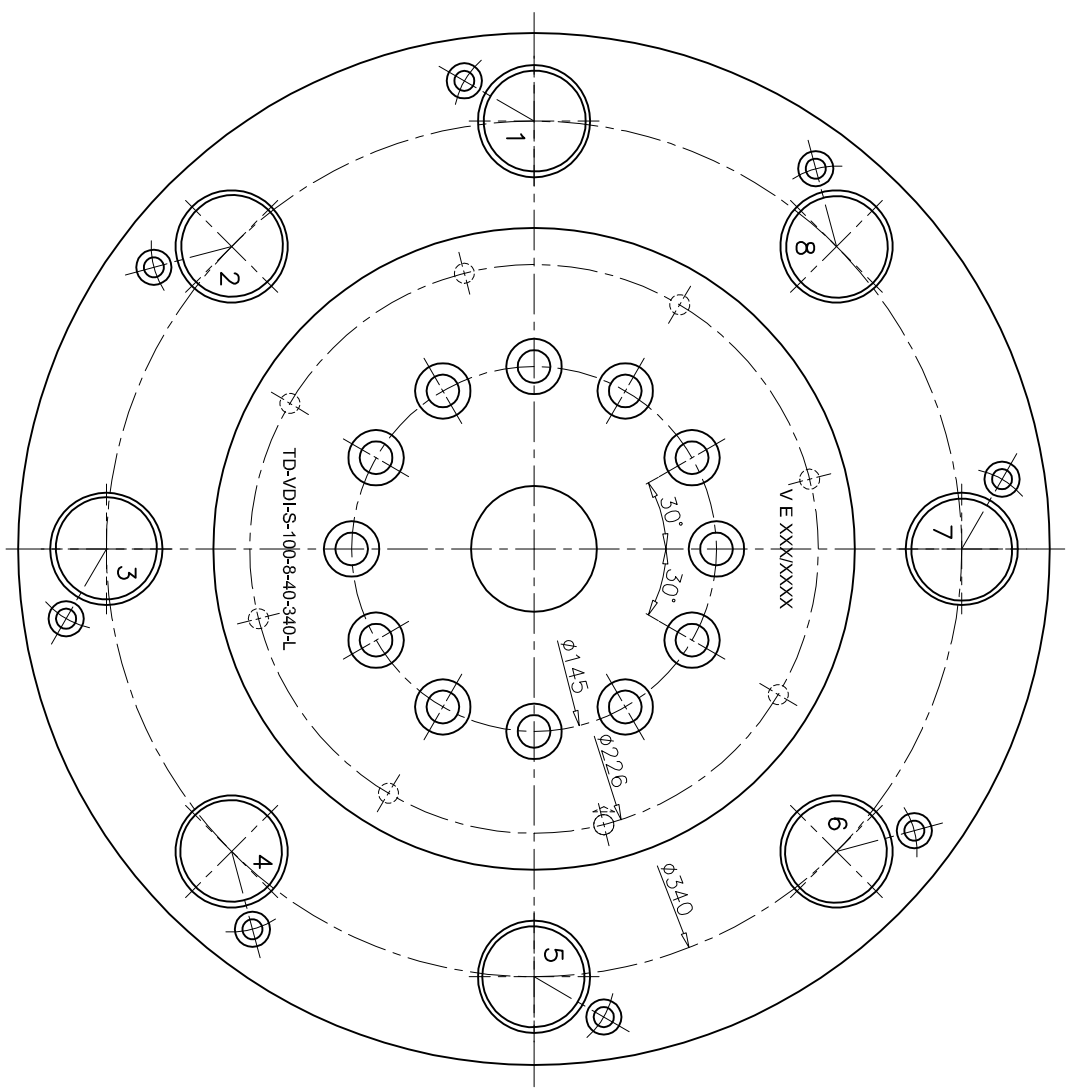


DO NOT SCALE THE DRG. ASK IF IN DOUBT. REMOVE SHARPE EDGES

0.012 / 0.025 / 0.05 / 0.1 / 0.2 / 0.4 / 0.8 / 1.6 / 3.2 / 6.3 / 12.5 / 25 / 50 / 100



MACHINING DEVIATIONS WHERE NOT SPECIFIED

Linear Dimension	Angular Dimension
Above 100	±0.1
30 - 100	±0.2
6 - 30	±0.3
Below 6	±0.5
±0.2	±1.8
±0.3	±1.8
±0.5	±1.8
±1.2	±1.8
±1.2	±1.8

THE INFORMATION CONTAIN HEREIN IS THE EXCLUSIVE PROPERTY OF SPHOO@RTI MACHINE TOOL PVT. LTD. & SHALL BE TREATED AS CONFIDENTIAL.

**SPHOO@RTI**  
BANGALORE

MODEL VDI GROUP TD  
by THIRASU  
DRAWN

Doc no. TD  
GROUP TD  
Sign P. SEKAR  
Date  
Index

SCALE 1:1

SIZE (A3)

TITLE TD-VDI-S-100-8-40-340-L

APPROVED  
P. SEKAR  
02-02-09

SD4901

REV SHEET  
01 010F01