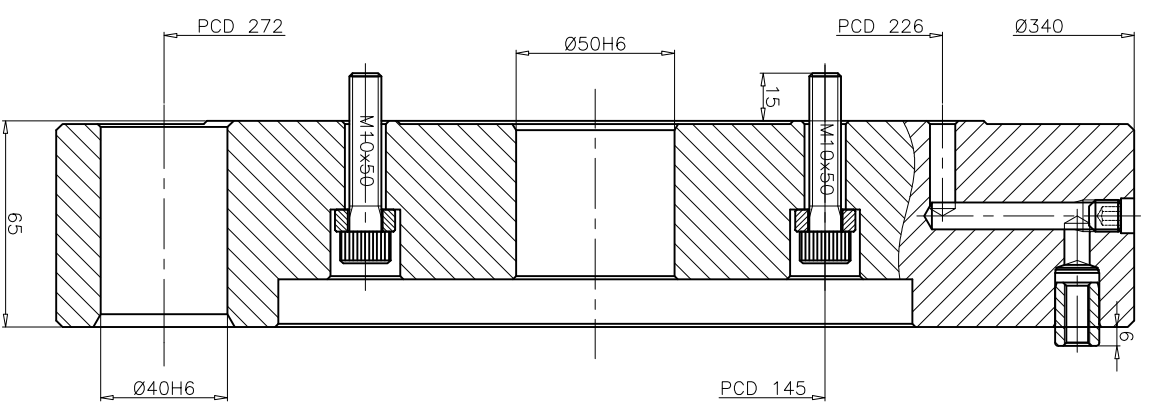
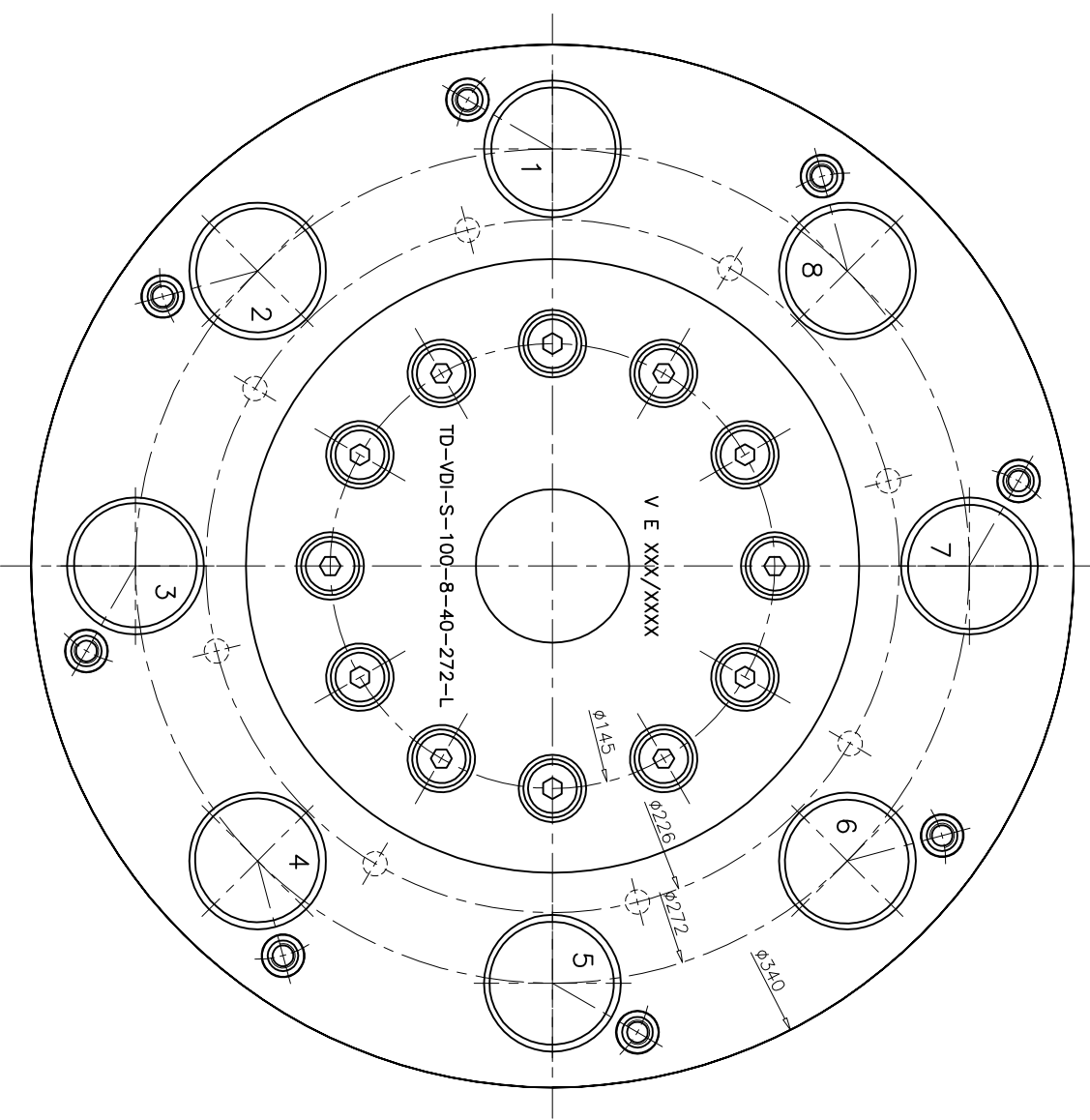


DO NOT SCALE THE DRG. ASK IF IN DOUBT. REMOVE SHARPE EDGES

0.012	0.025	0.05	0.1	0.2	0.4	0.8	1.6	3.2	6.3	12.5	25	50	100
-------	-------	------	-----	-----	-----	-----	-----	-----	-----	------	----	----	-----



MACHINING DEVIATIONS WHERE NOT SPECIFIED

Linear Dimension	Angular Dimension
Above 100	±0.1
30 - 100	±0.2
10 - 30	±0.3
3 - 10	±0.5
1 - 3	±1.0
0.5 - 1	±1.8
0.2 - 0.5	±3.0
0.1 - 0.2	±5.0
0.05 - 0.1	±10.0
0.02 - 0.05	±20.0
0.01 - 0.02	±40.0
0.005 - 0.01	±80.0
0.002 - 0.005	±160.0
0.001 - 0.002	±320.0

SIZE (A3)	TITLE	SCALE	DATE
NTS	TD-VDI-S-100-8-40-272-L	1:2	03-07-08

LINEAR DIMENSION	ANGULAR DIMENSION
Above 100	±0.1
30 - 100	±0.2
10 - 30	±0.3
3 - 10	±0.5
1 - 3	±1.0
0.5 - 1	±1.8
0.2 - 0.5	±3.0
0.1 - 0.2	±5.0
0.05 - 0.1	±10.0
0.02 - 0.05	±20.0
0.01 - 0.02	±40.0
0.005 - 0.01	±80.0
0.002 - 0.005	±160.0
0.001 - 0.002	±320.0

THE INFORMATION CONTAIN HEREIN IS THE EXCLUSIVE PROPERTY OF SPHOORNI MACHINE TOOL PVT. LTD. & SHALL BE TREATED AS CONFIDENTIAL.

SPHOORNI
BANGALORE

by THIRASU
DRAWN VDI
CHECKED TD
APPROVED P.SEKAR

Doc no. 03-07-08
GROUP TD
Asy. Dwg. No. 03-07-08

DRAWING No. SD18901

REV SHEET 01 010F01